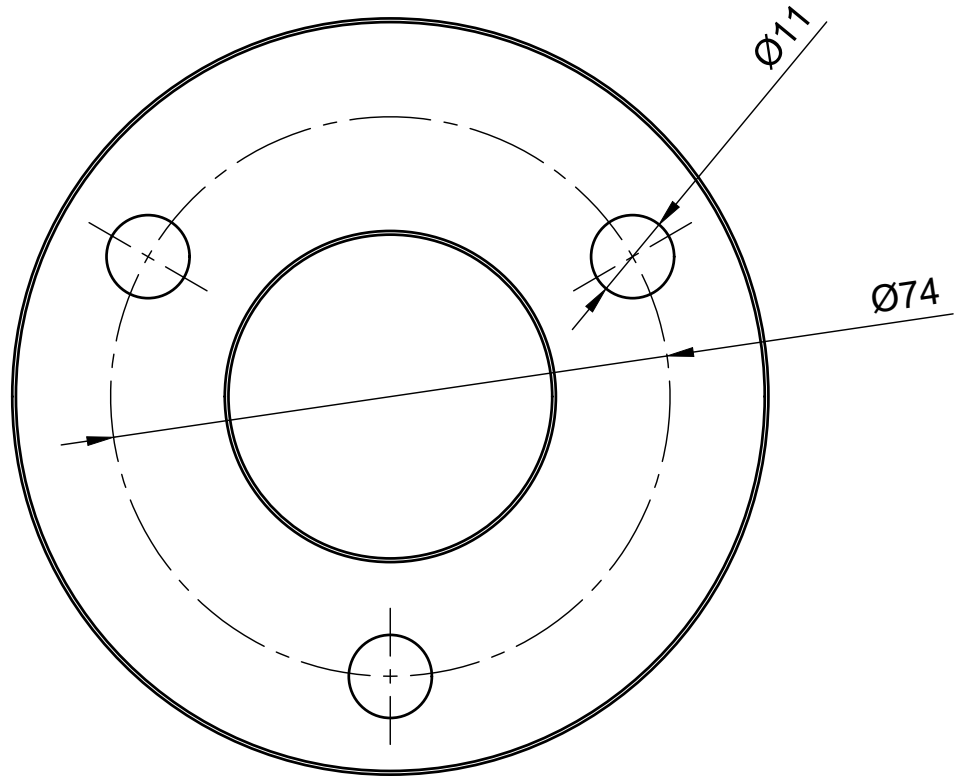
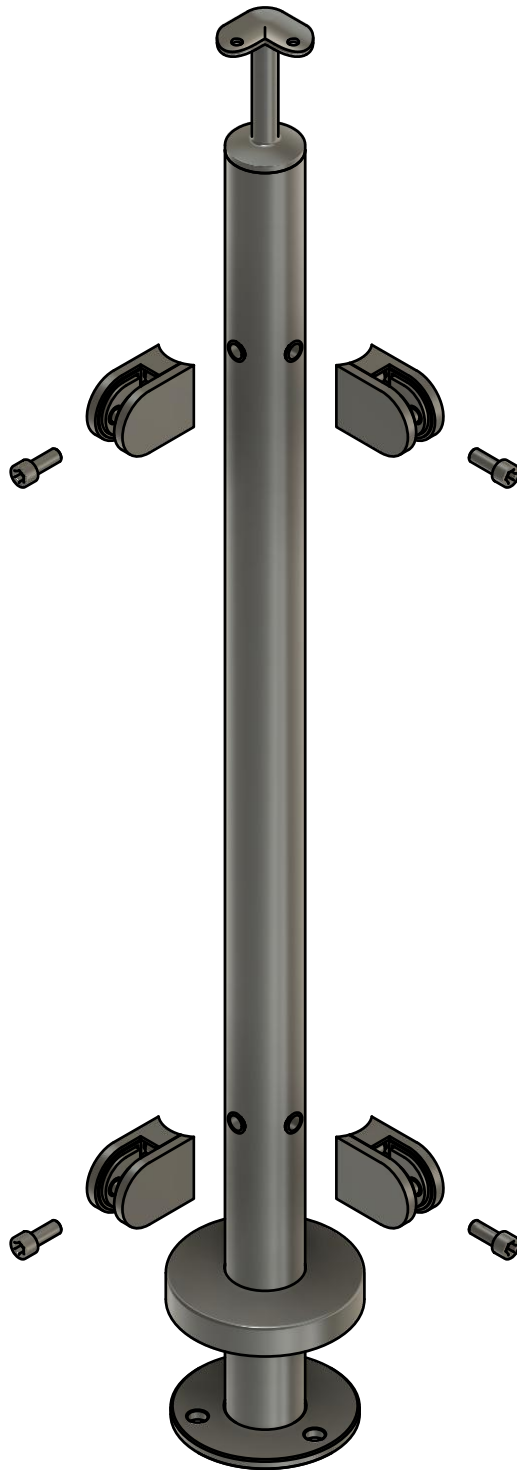


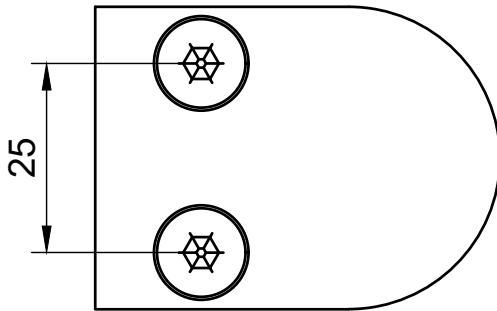
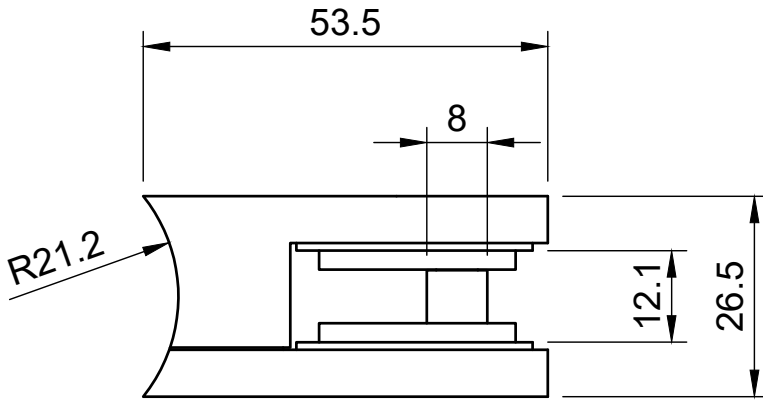
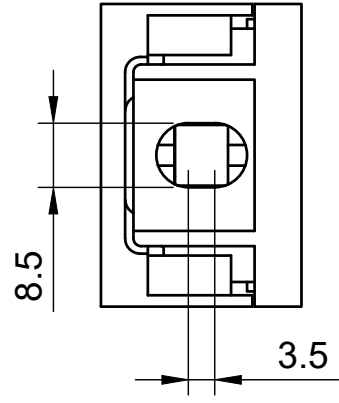
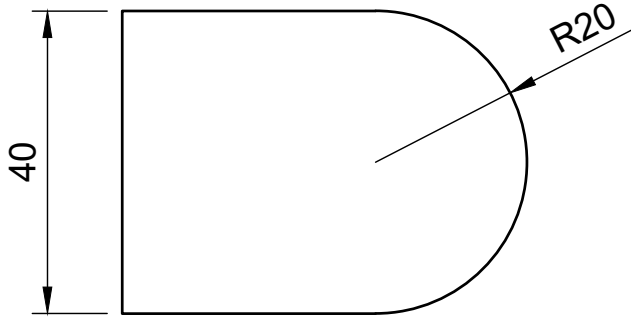
Dept. rapa GmbH	Technical reference	Created by T. Jelloneck	17.06.2021		Approved by
	Document type		Document status		
	Title Eckpfosten		DWG No.		
	Rev.	Date of issue	Sheet 1/3		



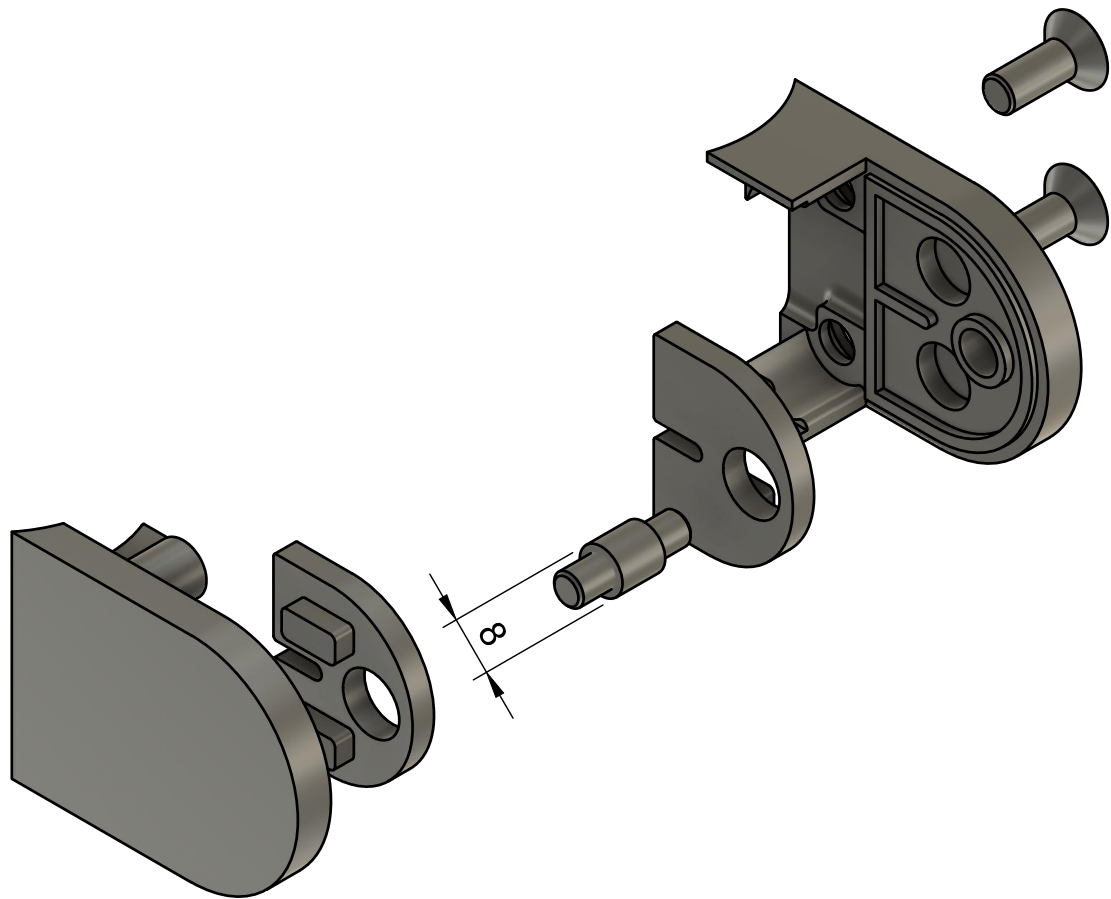
Dept. rapa GmbH	Technical reference	Created by T. Jelloneck	17.06.2021		Approved by
		Document type	Document status		
		Title Eckpfosten Fußplatte	DWG No.		
		Rev.	Date of issue	Sheet 2/3	



Dept. rapa GmbH	Technical reference	Created by T. Jelloneck	17.06.2021		Approved by
		Document type		Document status	
		Title Eckpfosten		DWG No.	
		Rev.	Date of issue	Sheet 3/3	



Dept. rapa GmbH	Technical reference	Created by T. Jelloneck 16.06.2021	Approved by	
		Document type	Document status	
		Title Glashalter	DWG No.	
		Rev.	Date of issue	Sheet 1/2



Dept. rapa GmbH	Technical reference	Created by T. Jelloneck	16.06.2021	Approved by	
		Document type	Document status		
		Title Glashalter	DWG No.		
		Rev.	Date of issue	Sheet 2/2	