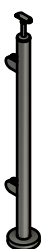
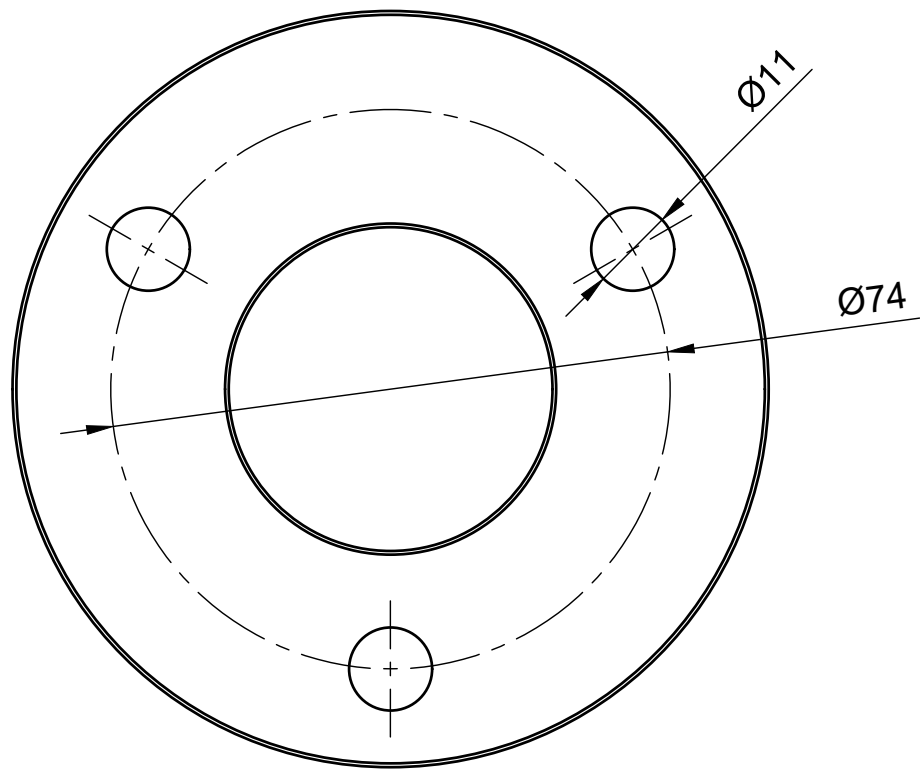
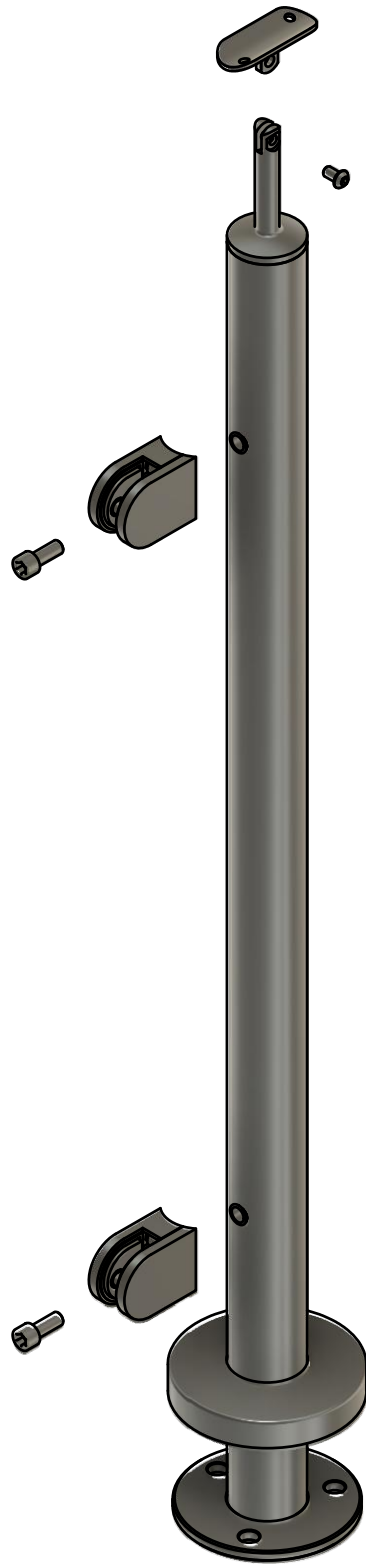


Dept. rapa GmbH	Technical reference	Created by T. Jelloneck 17.06.2021	Approved by	
		Document type	Document status	
		Title Endpfosten Rechts	DWG No.	
		Rev.	Date of issue	Sheet 1/3



Dept. rapa GmbH	Technical reference	Created by T. Jelloneck	17.06.2021		Approved by
		Document type	Document status		
		Title <b>Endpfosten Rechts Fußplatte</b>	DWG No.		
		Rev.	Date of issue	Sheet <b>2/3</b>	



Dept. rapa GmbH	Technical reference	Created by T. Jelloneck	17.06.2021		Approved by
		Document type		Document status	
		Title Endpfosten Rechts		DWG No.	
		Rev.	Date of issue	Sheet 3/3	