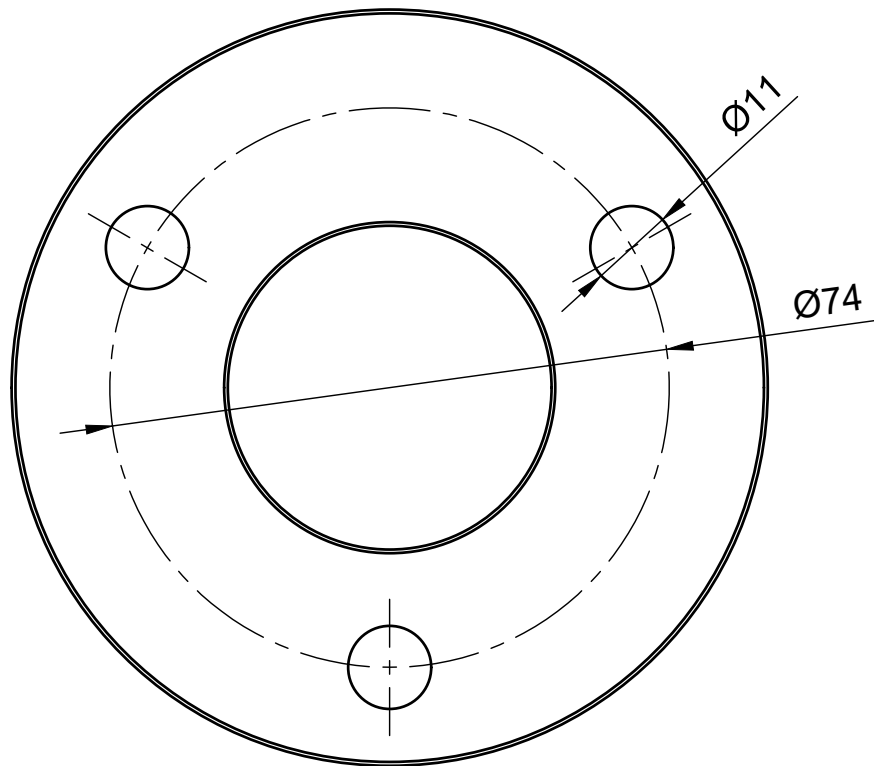
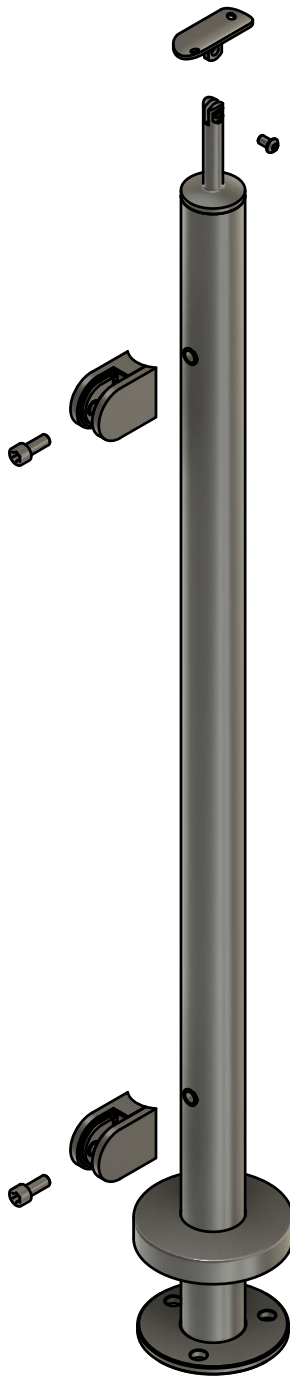


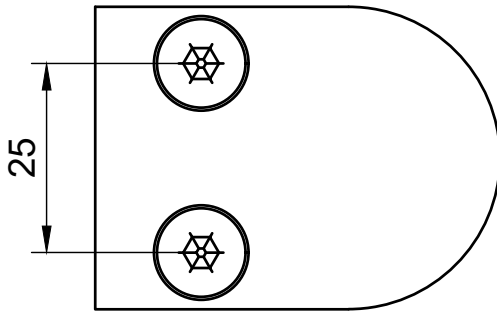
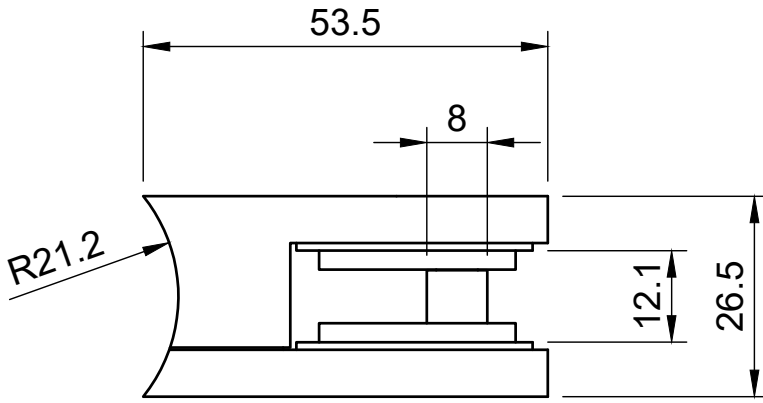
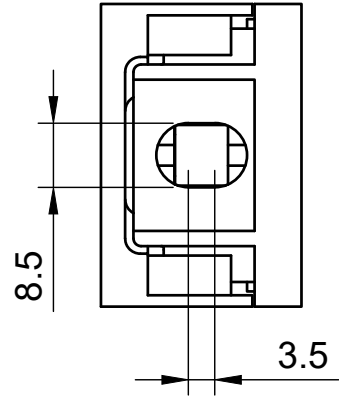
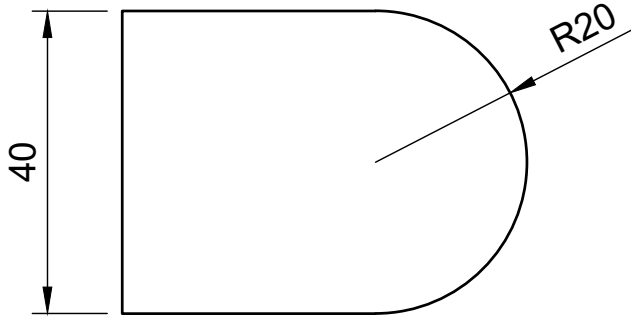
Dept. rapa GmbH	Technical reference	Created by T. Jelloneck 18.06.2021	Approved by	
	Document type		Document status	
	Title Endpfosten Rechts		DWG No.	
	Rev.	Date of issue	Sheet 1/3	



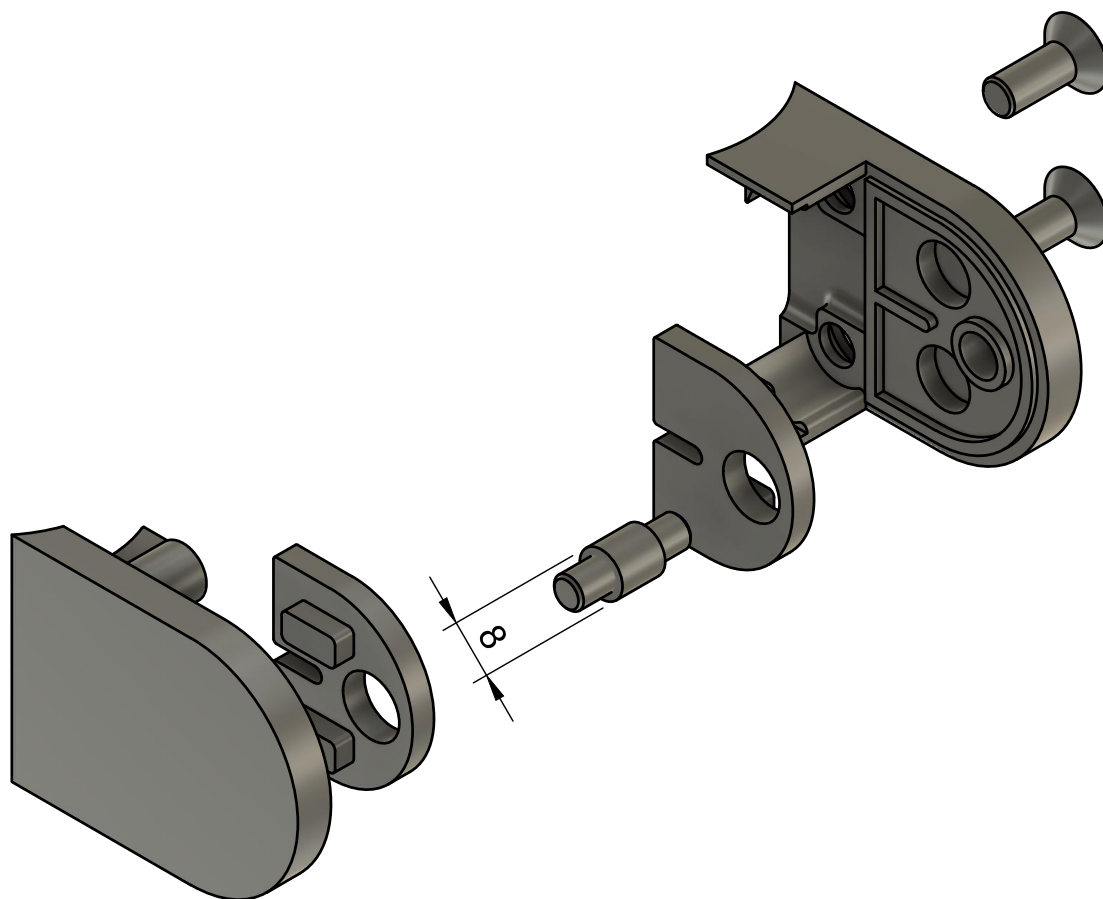
Dept. rapa GmbH	Technical reference	Created by T. Jelloneck	18.06.2021	Approved by	
		Document type	Document status		
		Title Endpfosten Rechts Fußplatte	DWG No.		
		Rev.	Date of issue	Sheet 2/3	



Dept. rapa GmbH	Technical reference	Created by T. Jelloneck	18.06.2021		Approved by
		Document type		Document status	
		Title Endpfosten Rechts		DWG No.	
		Rev.	Date of issue	Sheet 3/3	



Dept. rapa GmbH	Technical reference	Created by T. Jelloneck 16.06.2021	Approved by	
		Document type	Document status	
		Title <b>Glashalter</b>	DWG No.	
		Rev.	Date of issue	Sheet 1/2



Dept. rapa GmbH	Technical reference	Created by T. Jelloneck	16.06.2021		Approved by
		Document type		Document status	
		Title <b>Glashalter</b>		DWG No.	
		Rev.	Date of issue	Sheet 2/2	