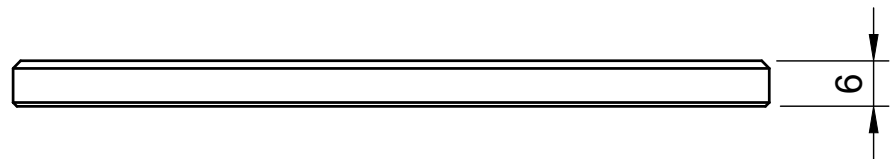
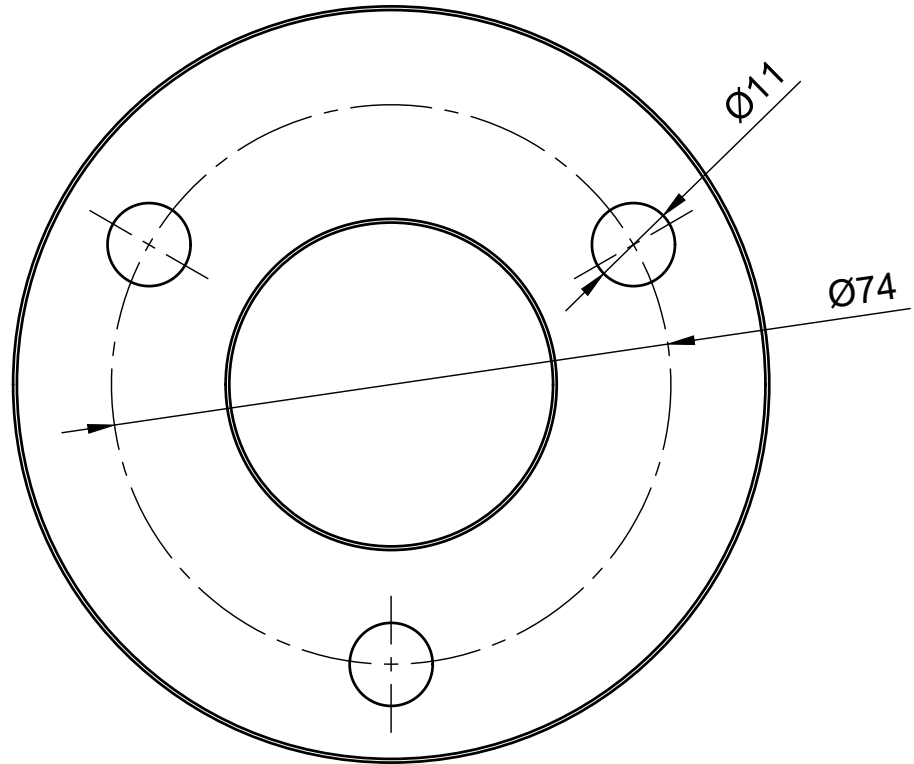
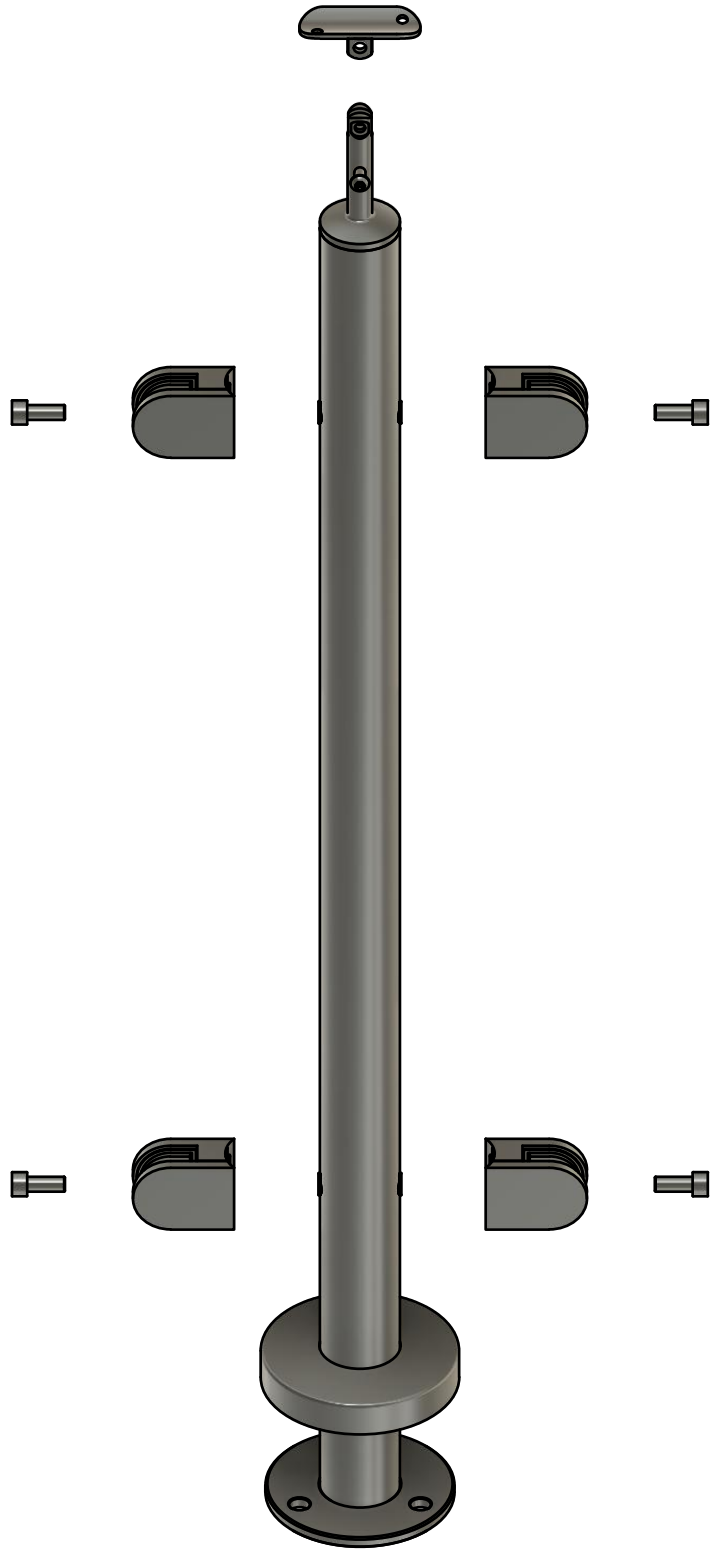


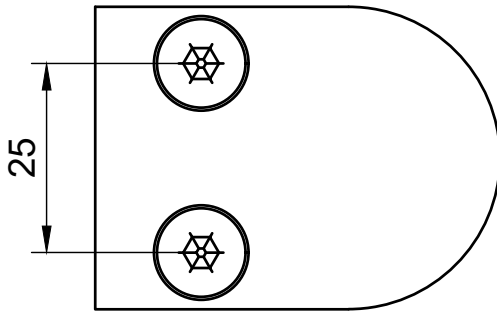
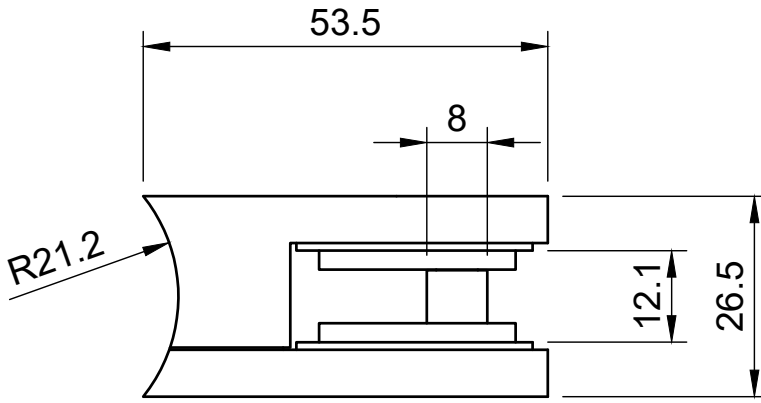
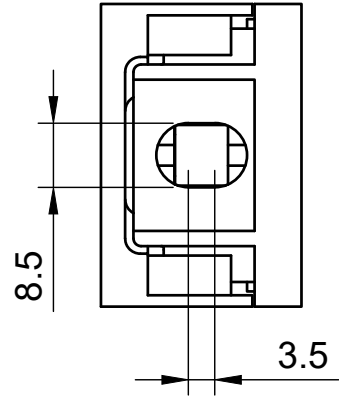
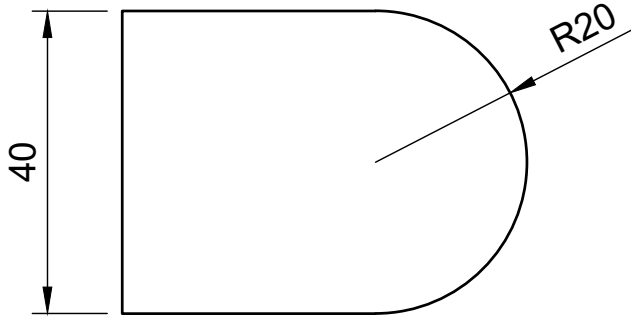
Dept. rapa GmbH	Technical reference	Created by T. Jelloneck	Approved by	
		Document type	Document status	
		Title Mittelpfosten	DWG No.	
			Rev.	Date of issue



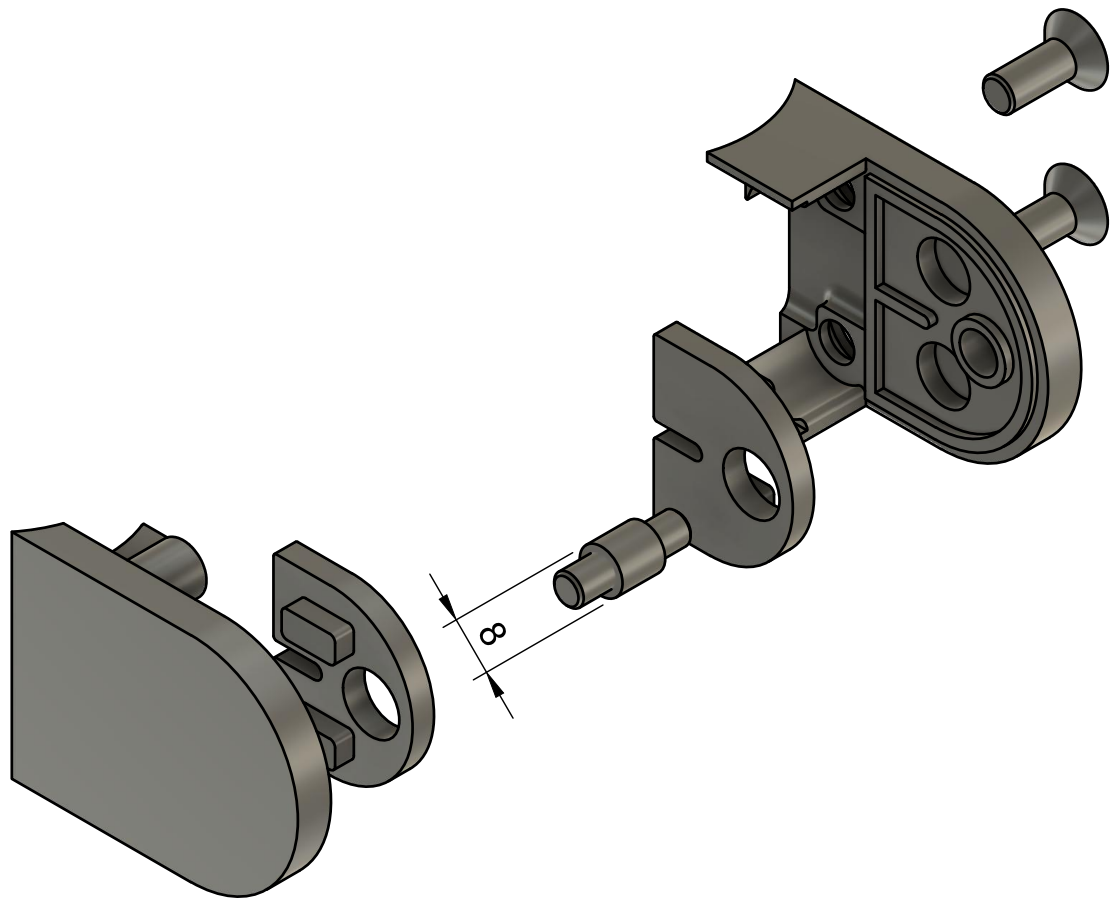
Dept. rapa GmbH	Technical reference	Created by T. Jelloneck	17.06.2021		Approved by
		Document type		Document status	
		Title Mittelpfosten Fußplatte		DWG No.	
		Rev.	Date of issue	Sheet 2/3	



Dept. rapa GmbH	Technical reference	Created by T. Jelloneck	17.06.2021		Approved by
		Document type	Document status		
		Title Mittelpfosten	DWG No.		
		Rev.	Date of issue	Sheet 3/3	



Dept. rapa GmbH	Technical reference	Created by T. Jelloneck 16.06.2021	Approved by	
		Document type	Document status	
		Title Glashalter	DWG No.	
		Rev.	Date of issue	Sheet 1/2



Dept. rapa GmbH	Technical reference	Created by T. Jelloneck	16.06.2021		Approved by
		Document type		Document status	
		Title Glashalter		DWG No.	
		Rev.	Date of issue	Sheet 2/2	