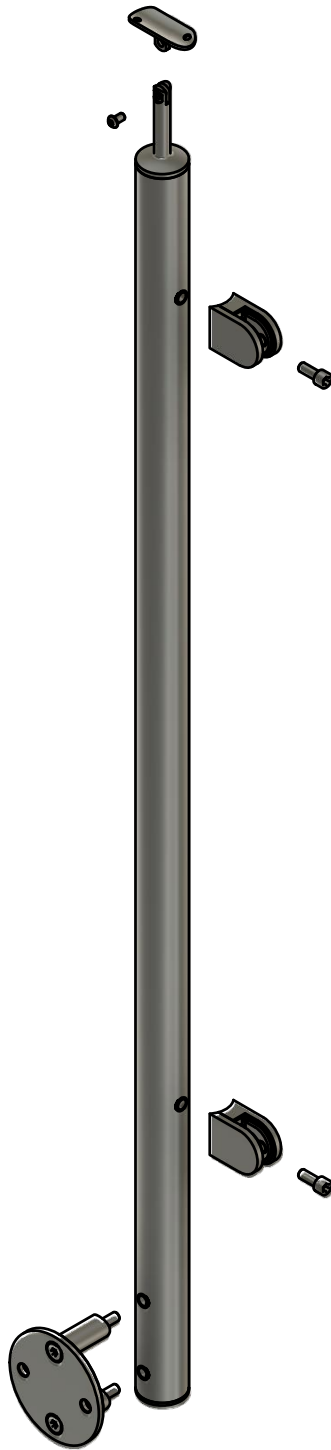
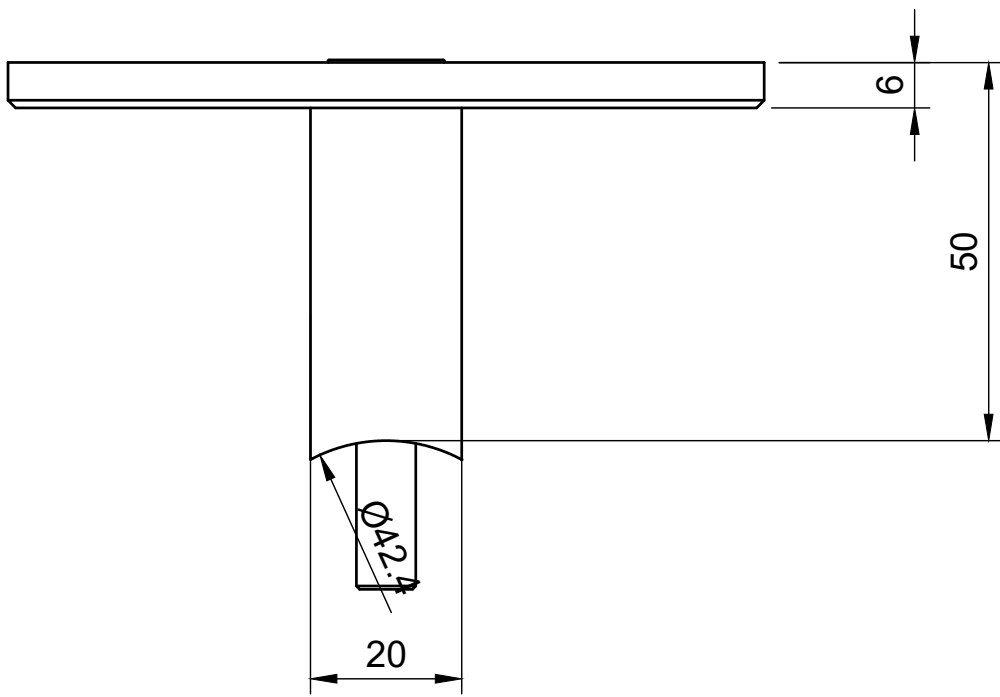
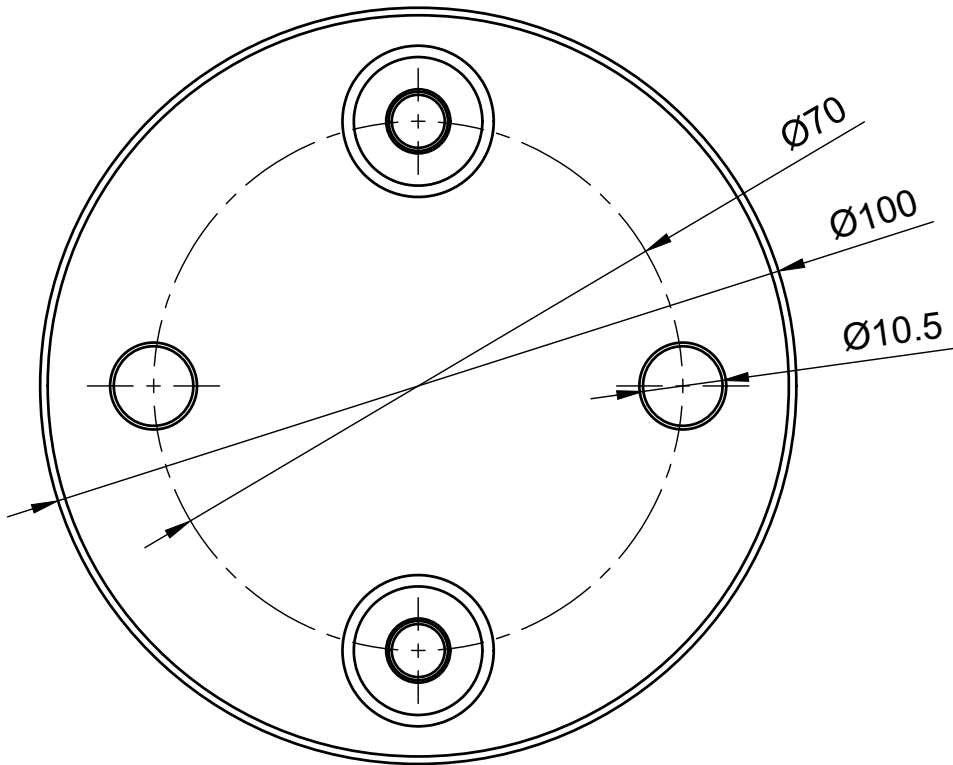


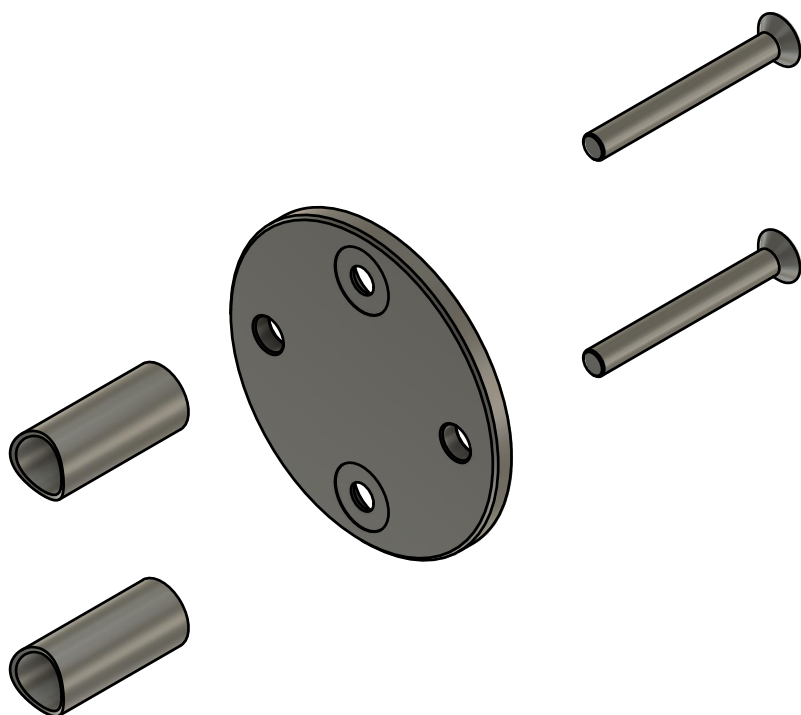
| | | | | |
|---|---------------------------|---------------------------------------|--------------|--|
| Dept. rapa GmbH | Technical reference | Created by T. Jelloneck 22.06.2021 | Approved by | |
|  | Document type | Document status | | |
| | Title Endpfosten Links | DWG No. | | |
| | Rev. | Date of issue | Sheet 1/2 | |



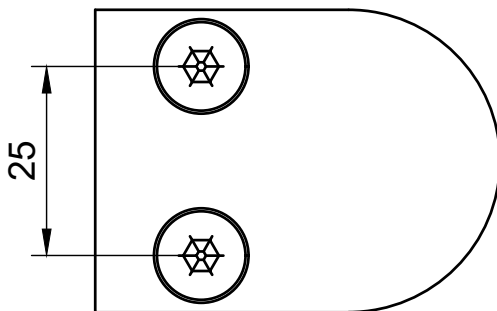
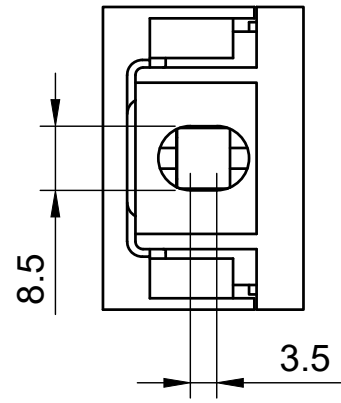
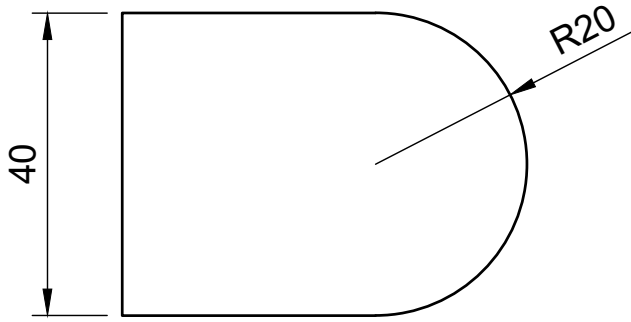
| | | | | | |
|--------------------|---------------------|----------------------------|-----------------|--------------|--|
| Dept. rapa GmbH | Technical reference | Created by T. Jelloneck | 22.06.2021 | Approved by | |
| | | Document type | Document status | | |
| | | Title Endpfosten Links | DWG No. | | |
| | | Rev. | Date of issue | Sheet 2/2 | |



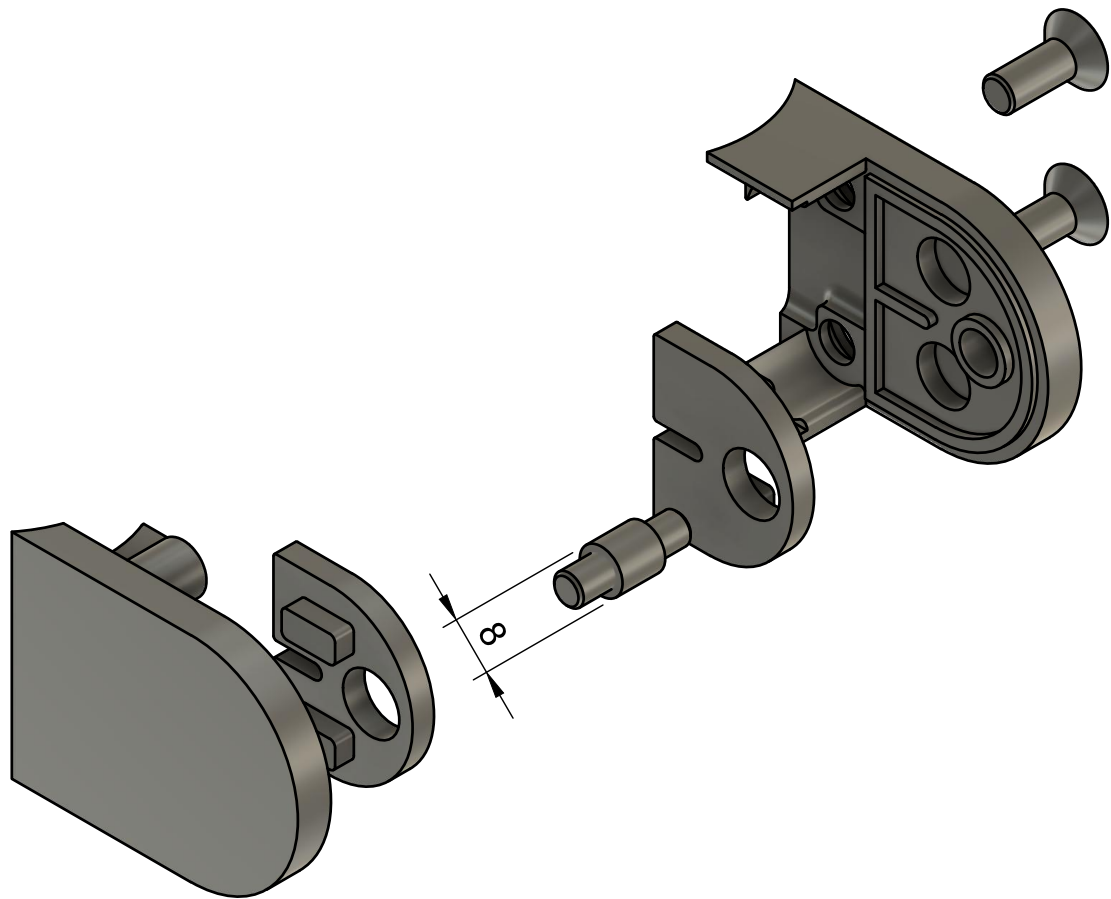
| | | | | |
|---|---------------------|---------------------------------------|-----------------|--------------|
| Dept. rapa GmbH | Technical reference | Created by T. Jelloneck 21.06.2021 | Approved by | |
|  | | Document type | Document status | |
| | | Title Pfostenhalter | DWG No. | |
| | | Rev. | Date of issue | Sheet 1/2 |



| | | | | | |
|--------------------|---------------------|-------------------------------|-----------------|---------------------|-------------|
| Dept. rapa GmbH | Technical reference | Created by T. Jelloneck | 21.06.2021 | | Approved by |
| | | Document type | Document status | | |
| | | Title Pfostenhalter | DWG No. | | |
| | | Rev. | Date of issue | Sheet 2/2 | |



| | | | | |
|---|---------------------|---------------------------------------|-----------------|--------------|
| Dept. rapa GmbH | Technical reference | Created by T. Jelloneck 16.06.2021 | Approved by | |
|  | | Document type | Document status | |
| | | Title Glashalter | DWG No. | |
| | | Rev. | Date of issue | Sheet 1/2 |



| | | | | |
|--------------------|---------------------|----------------------------|-----------------|--------------|
| Dept. rapa GmbH | Technical reference | Created by T. Jelloneck | 16.06.2021 | Approved by |
| | | Document type | Document status | |
| | | Title Glashalter | DWG No. | |
| | | Rev. | Date of issue | Sheet 2/2 |