
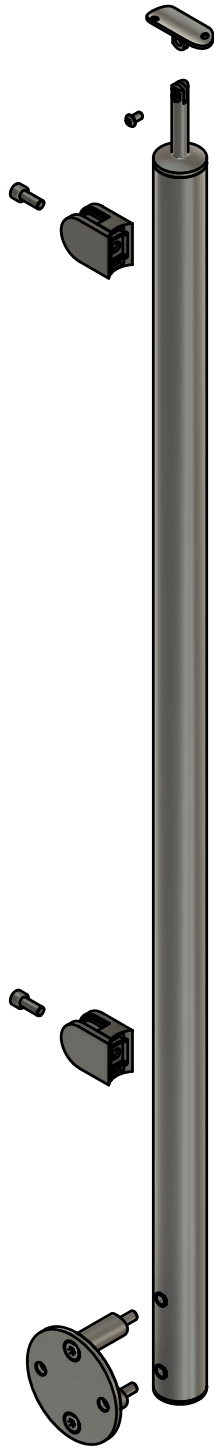
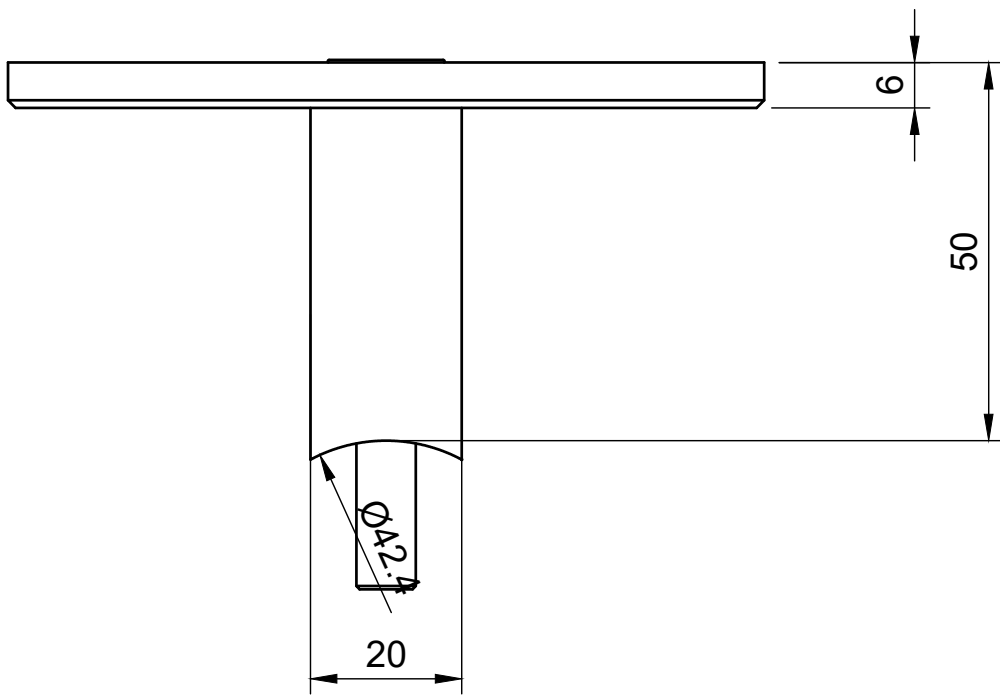
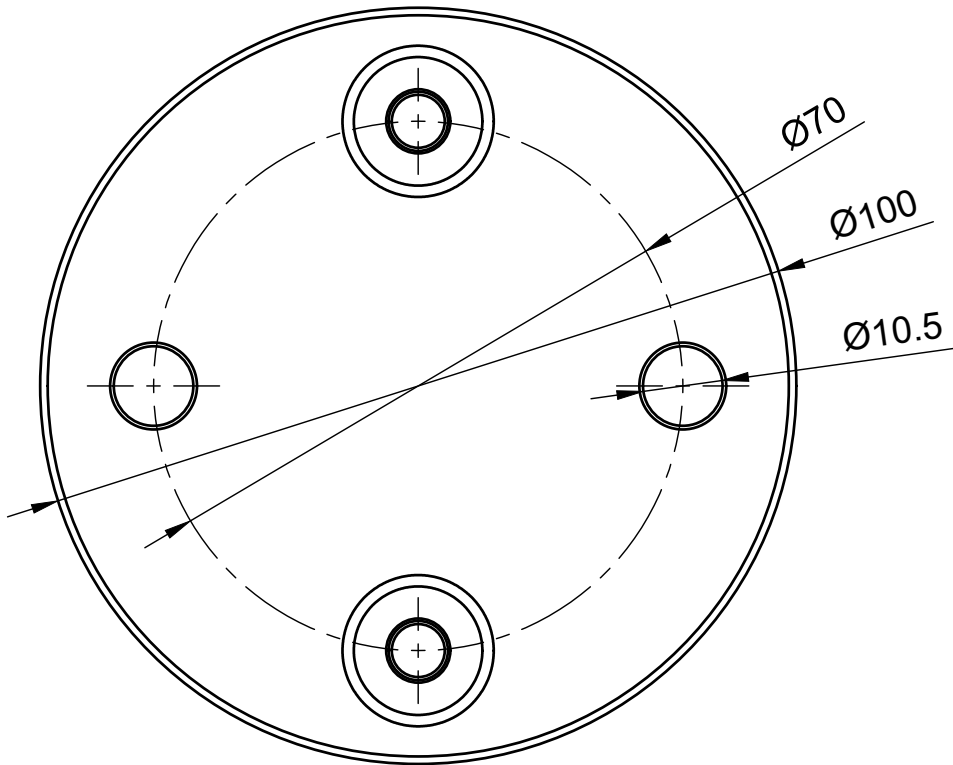


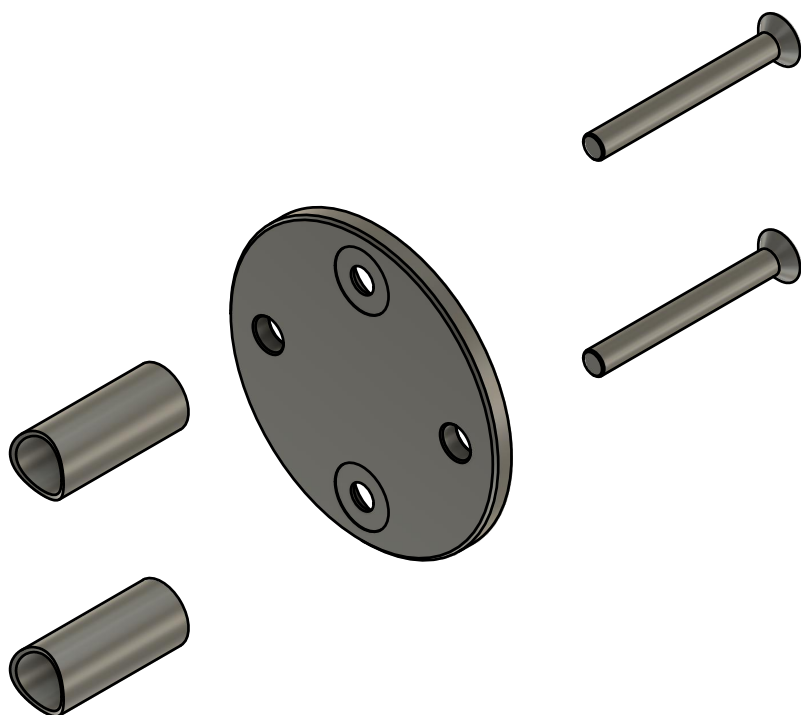
Dept. rapa GmbH	Technical reference	Created by T. Jelloneck 22.06.2021	Approved by	
		Document type	Document status	
		Title Endpfosten Rechts	DWG No.	
		Rev.	Date of issue	Sheet 1/2



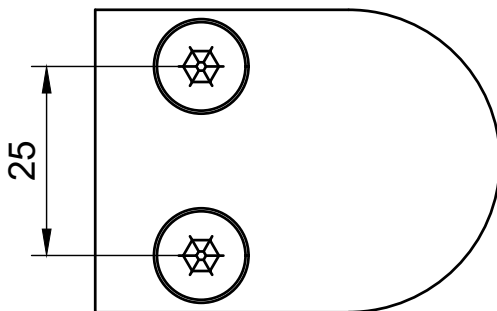
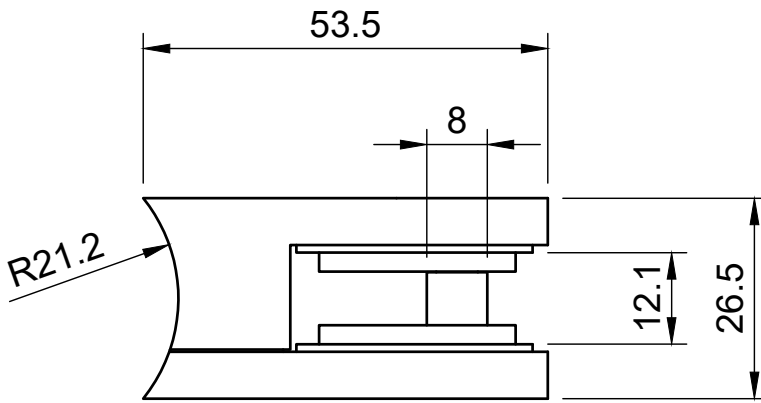
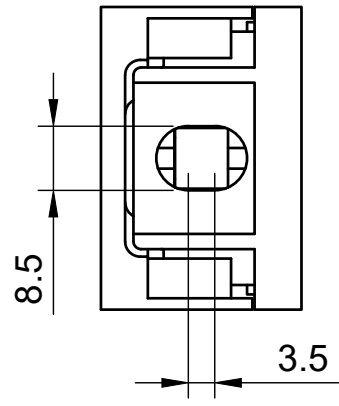
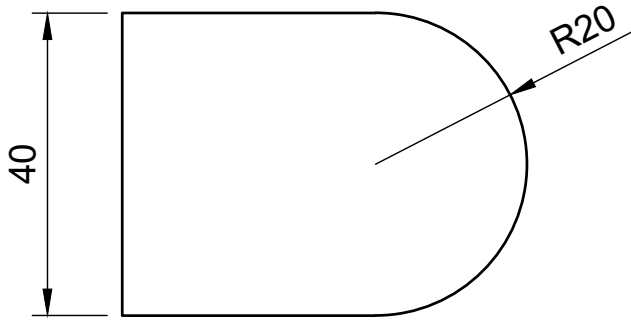
Dept. rapa GmbH	Technical reference	Created by T. Jelloneck	22.06.2021		Approved by
		Document type		Document status	
		Title Endpfosten Rechts		DWG No.	
		Rev.	Date of issue	Sheet 2/2	



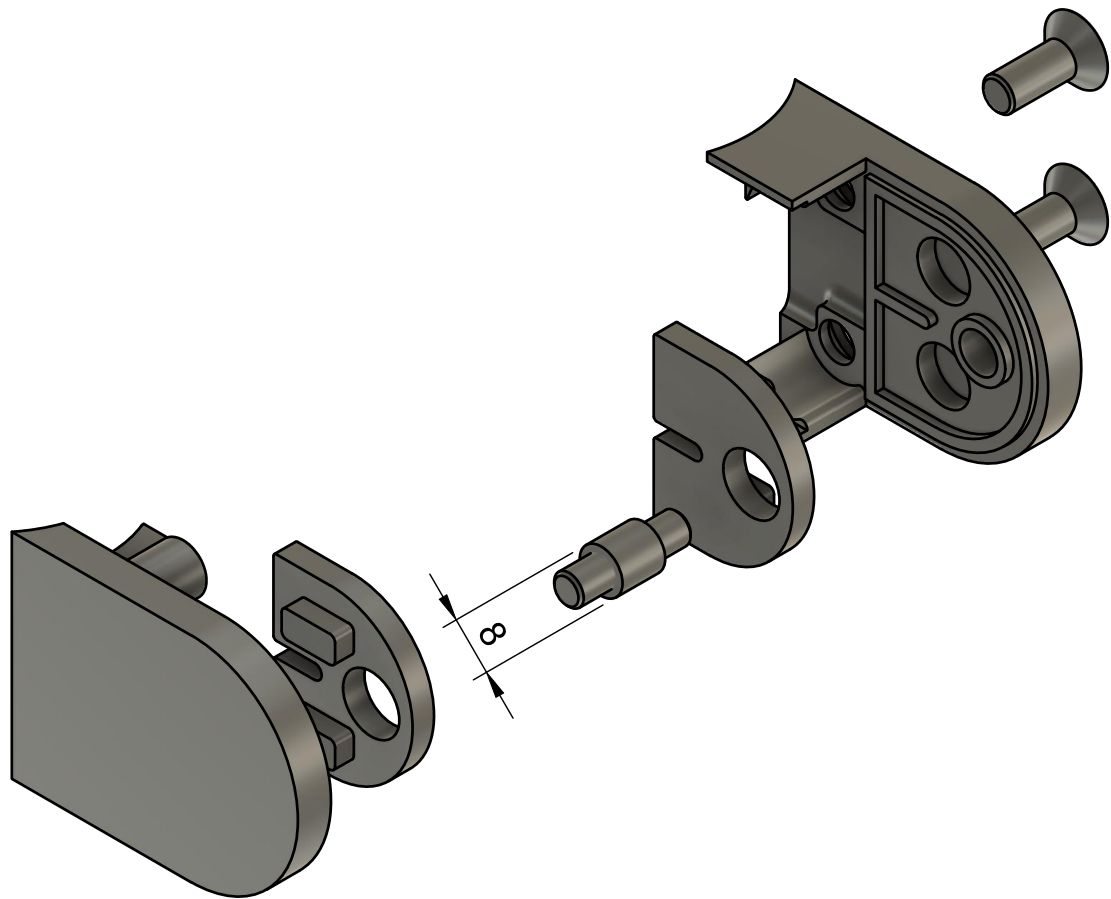
Dept. rapa GmbH	Technical reference	Created by T. Jelloneck 21.06.2021	Approved by	
		Document type	Document status	
		Title Pfostenhalter	DWG No.	
		Rev.	Date of issue	Sheet 1/2



Dept. rapa GmbH	Technical reference	Created by T. Jelloneck 21.06.2021	Approved by	
		Document type	Document status	
		Title Pfostenhalter	DWG No.	
		Rev.	Date of issue	Sheet 2/2



Dept. rapa GmbH	Technical reference	Created by T. Jelloneck 16.06.2021	Approved by	
		Document type	Document status	
		Title Glashalter	DWG No.	
		Rev.	Date of issue	Sheet 1/2



Dept. rapa GmbH	Technical reference	Created by T. Jelloneck	16.06.2021	Approved by	
		Document type	Document status		
		Title Glashalter	DWG No.		
		Rev.	Date of issue	Sheet 2/2	