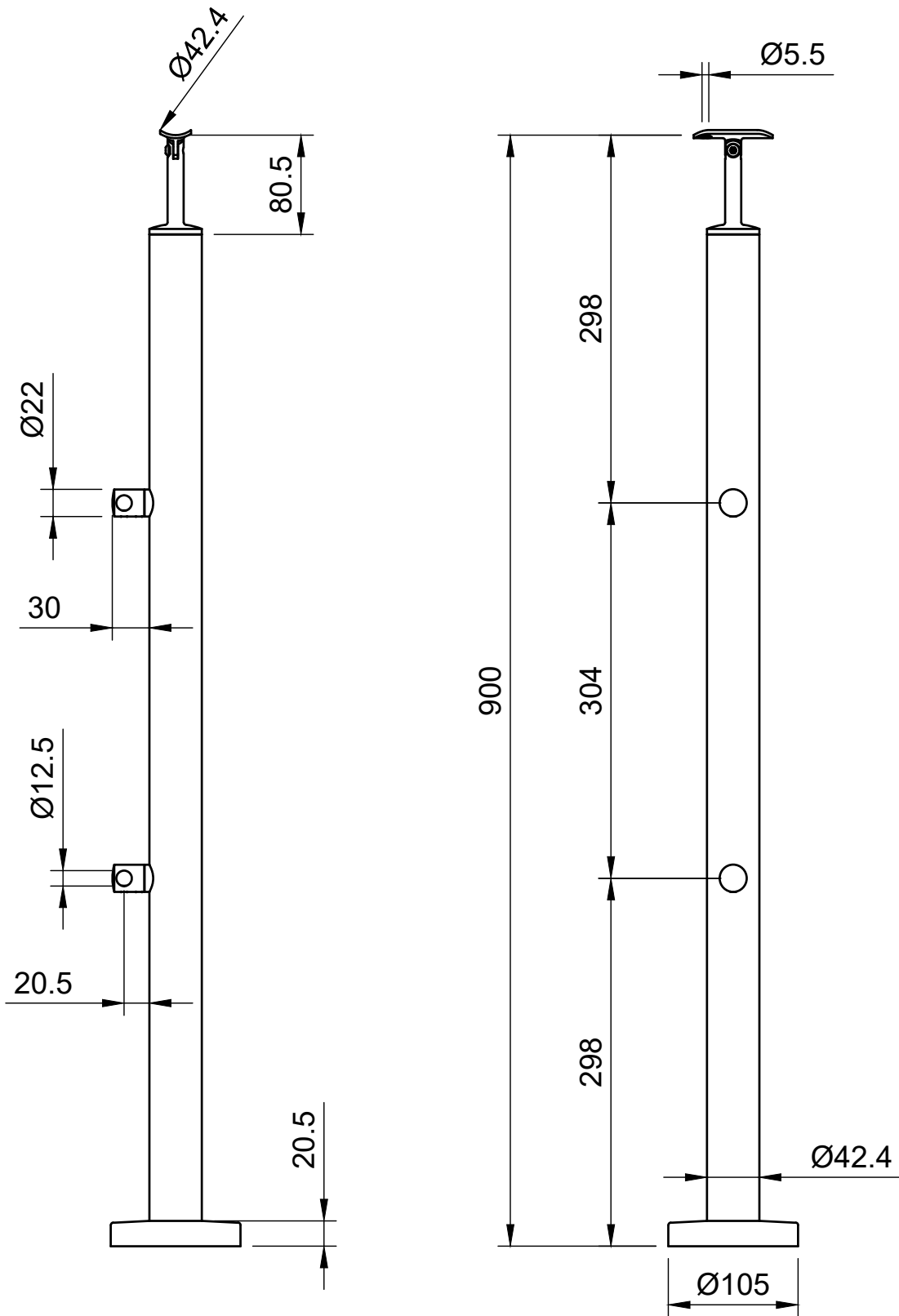
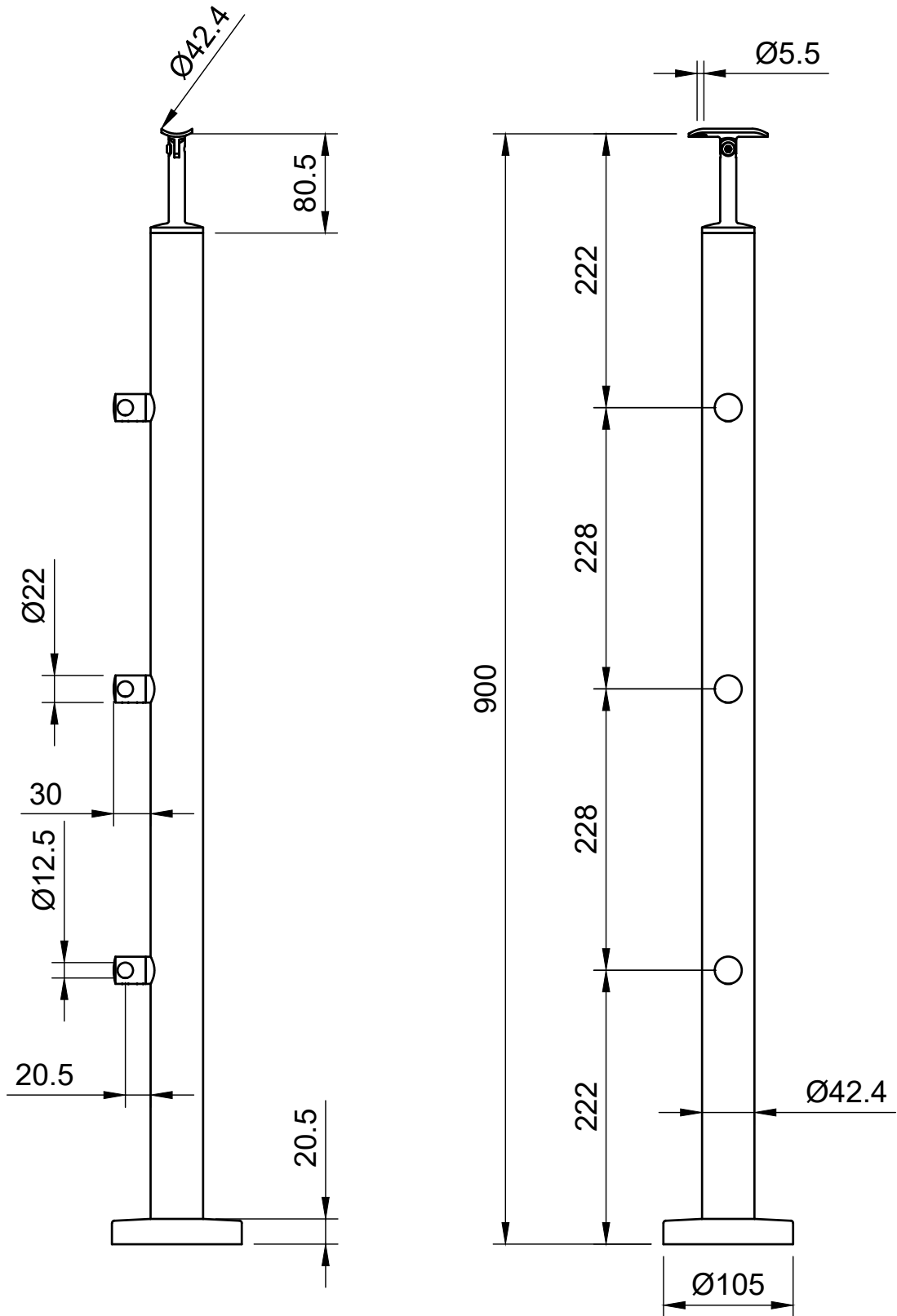


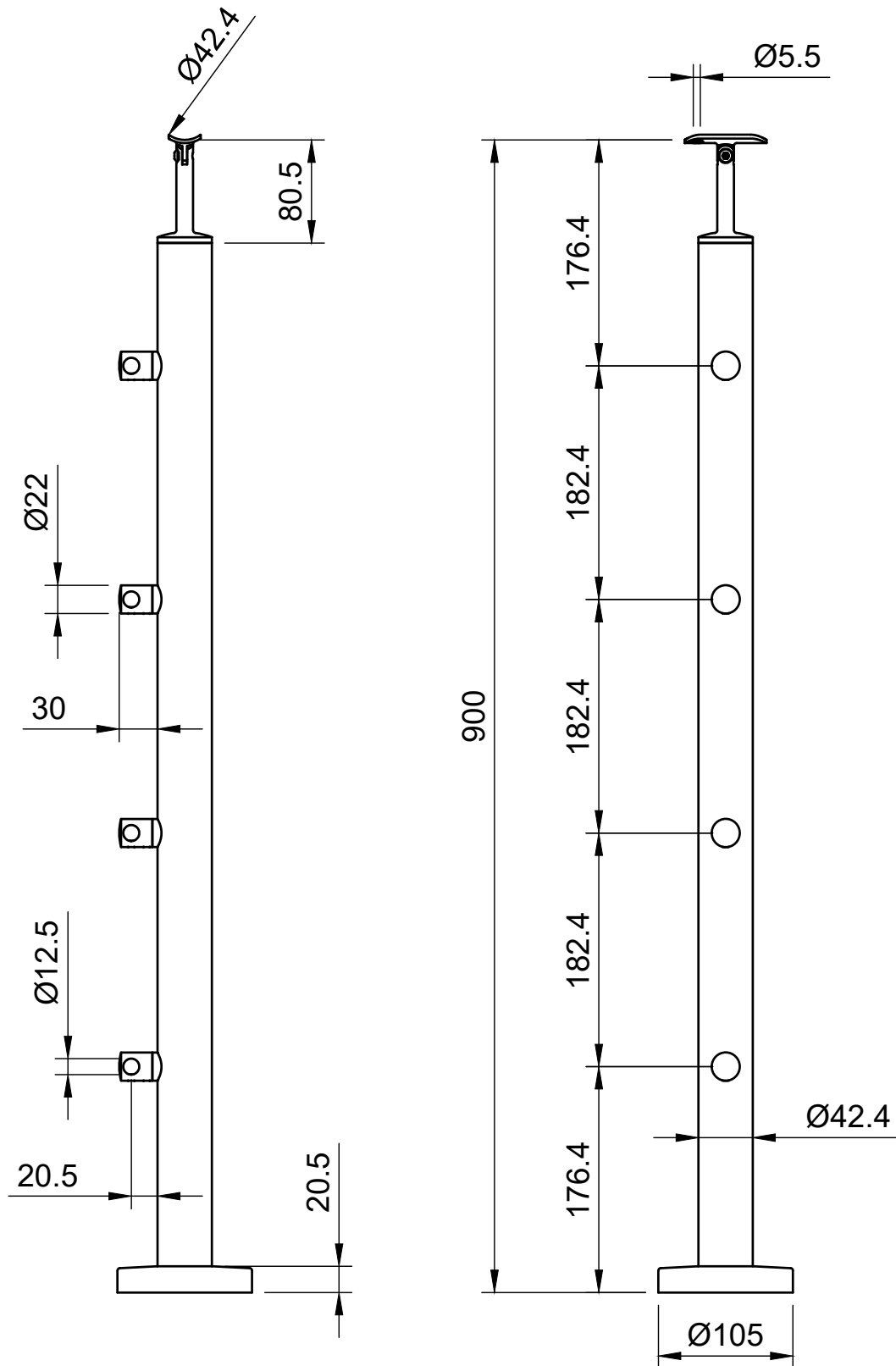
Dept. rapa GmbH	Technical reference	Created by T. Jelloneck	11.08.2021		Approved by
		Document type	Document status		
		Title RG01 - Pfosten	DWG No.		
		Rev.	Date of issue	Sheet 1/7	



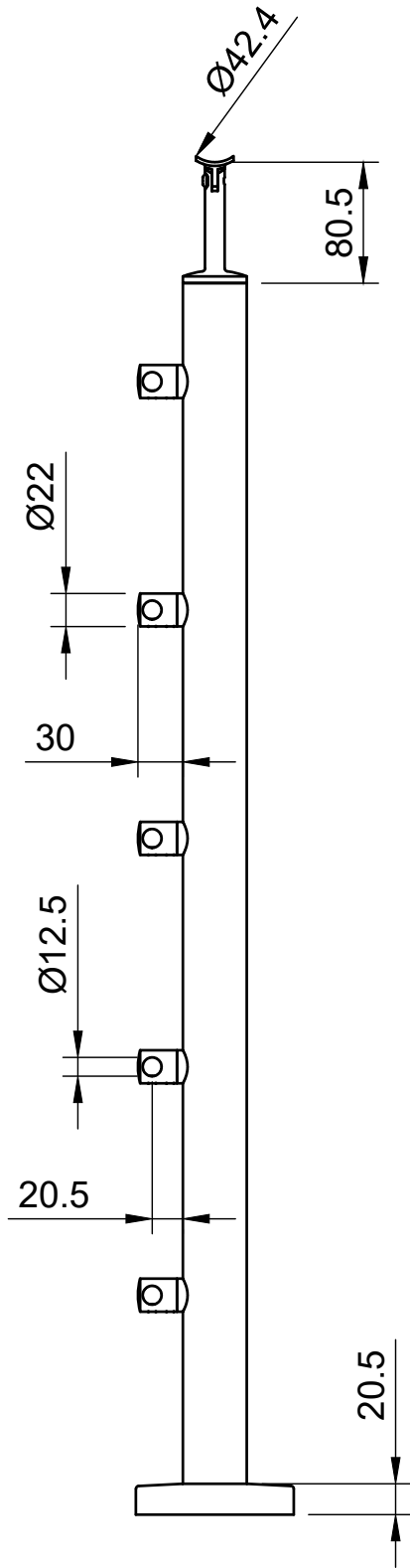
Dept. rapa GmbH	Technical reference	Created by T. Jelloneck	11.08.2021	Approved by	
		Document type	Document status		
		Title RG01 - Pfosten	DWG No.		
		Rev.	Date of issue	Sheet 2/7	



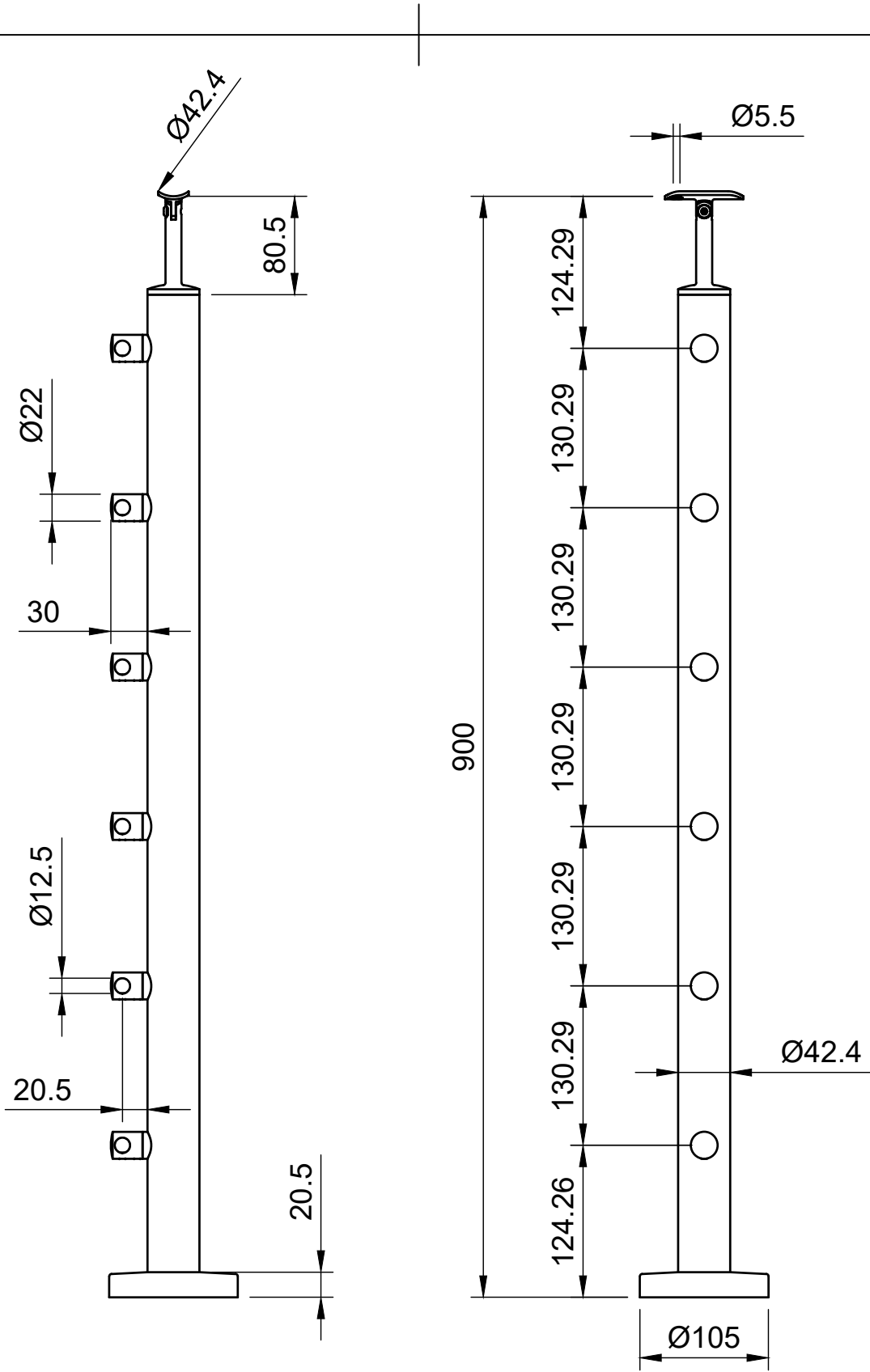
Dept. rapa GmbH	Technical reference	Created by T. Jelloneck 11.08.2021	Approved by	
		Document type	Document status	
		Title RG01 - Pfosten	DWG No.	
		Rev.	Date of issue	Sheet 3/7



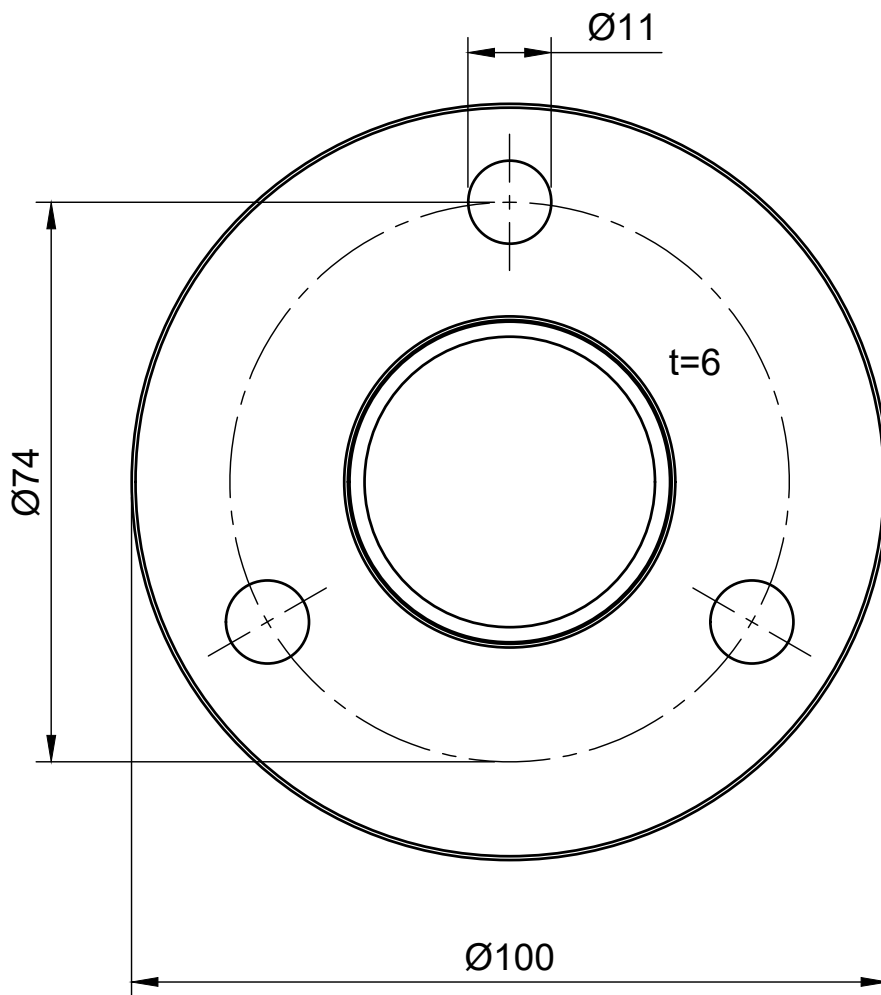
Dept. rapa GmbH	Technical reference	Created by T. Jelloneck 11.08.2021	Approved by		
		Document type	Document status		
		Title RG01 - Pfosten	DWG No.		
		Rev.	Date of issue	Sheet 4/7	



Dept. rapa GmbH	Technical reference	Created by T. Jelloneck 11.08.2021	Approved by	
		Document type	Document status	
		Title RG01 - Pfosten	DWG No.	
		Rev.	Date of issue	Sheet 5/7



Dept. rapa GmbH	Technical reference	Created by T. Jelloneck 11.08.2021	Approved by	
		Document type	Document status	
		Title RG01 - Pfosten	DWG No.	
		Rev.	Date of issue	Sheet 6/7



Dept. rapa GmbH	Technical reference	Created by T. Jelloneck	11.08.2021	Approved by
		Document type	Document status	
		Title RG01 - Pfosten	DWG No.	
		Rev.	Date of issue	Sheet 7/7