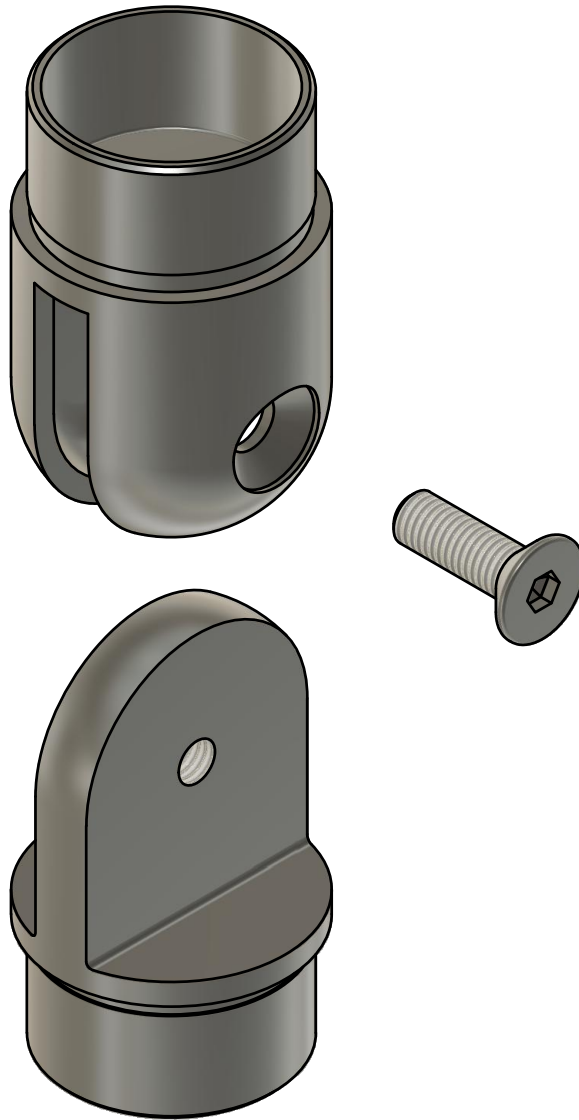
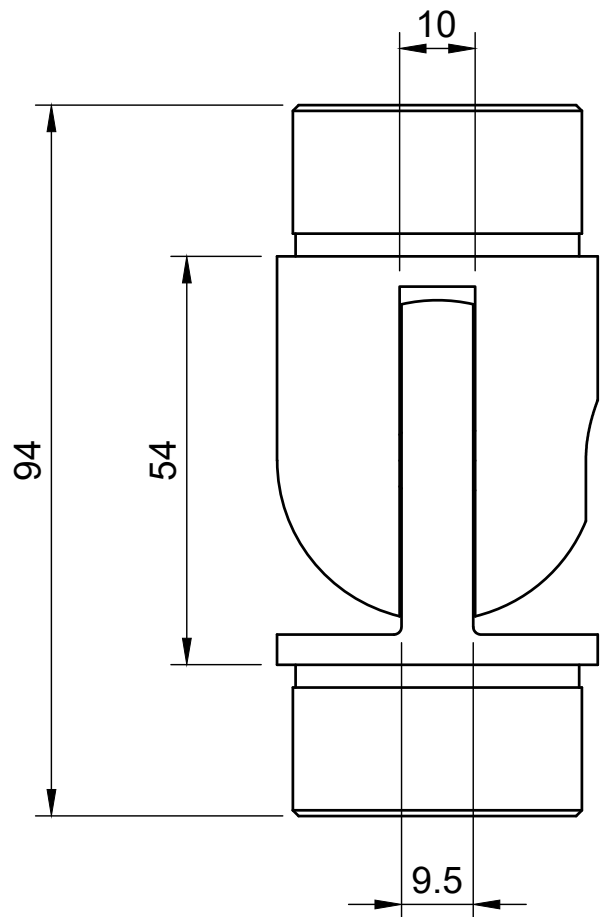
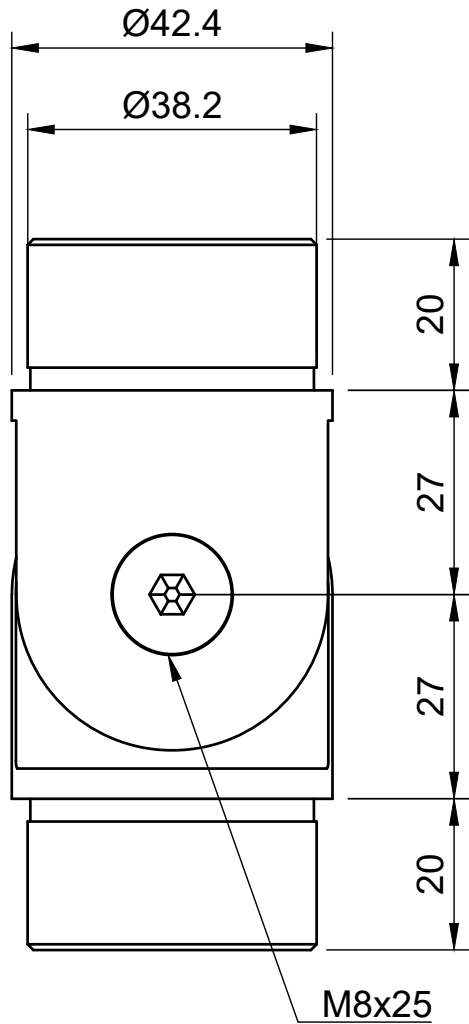


| | | | | | |
|--------------------|---------------------|--------------------------------------|-----------------|--------------|-------------|
| Dept. rapa GmbH | Technical reference | Created by TJK | 22.10.2021 | | Approved by |
| | | Document type | Document status | | |
| | | Title verstellbarer Rohrverbinder | DWG No. | | |
| | | Rev. | Date of issue | Sheet 1/3 | |



| | | | | | |
|--------------------|---------------------|--------------------------------------|-----------------|--------------|-------------|
| Dept. rapa GmbH | Technical reference | Created by TJK | 22.10.2021 | | Approved by |
| | | Document type | Document status | | |
| | | Title verstellbarer Rohrverbinder | DWG No. | | |
| | | Rev. | Date of issue | Sheet 2/3 | |



| | | | | | |
|---------------------------|---------------------|---|-----------------|---------------------|-------------|
| Dept. rapa GmbH | Technical reference | Created by TJK | 22.10.2021 | | Approved by |
| | | Document type | Document status | | |
| | | Title verstellbarer Rohrverbinder | DWG No. | | |
| | | Rev. | Date of issue | Sheet 3/3 | |